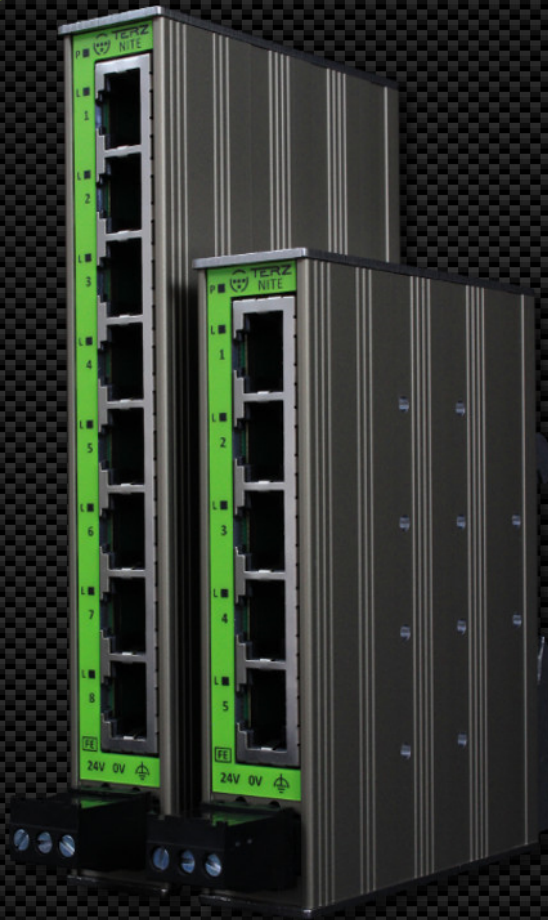


NITE-RS

Unmanaged Industrial Ethernet Switch RJ45
Fast Ethernet



Simple, reliable and space-saving networking in the control cabinet

- ▶ Flexible use with 24 VAC/VDC
- ▶ Minimal installation width 22.5 mm
- ▶ Temperature range -40 to +70°C
- ▶ Polarity protection
- ▶ IP30 metal housing
- ▶ Inrush current limitation
- ▶ Stable mounting on 35 mm DIN rail
- ▶ PROFINET suitable

With an installation width of just 22.5 mm, the NITE-RS switches impress with their extremely slim and high-quality metal housing. The narrow Industrial Ethernet switches for DIN rail mounting operate extremely energy efficient and reliable. The Plug&Play switches convince with their quick and easy commissioning and enable a cost-effective extension of existing or new network installations. Due to the wide temperature range of -40°C to +70°C, a 24 VAC/VDC power supply with polarity protection and inrush current limitation, the switches can be used in every application. Two frame forwarding variants (LLDP/PTCP) support all applications perfectly and the compatibility for PROFINET networks is given.

General

Switch: IEEE802.3 Store and Forward; non-blocking wire speed
Auto-Negotiation, Auto-MDI-X, Auto-Polarity: Yes
Frame size: 2,048 Bytes
MAC table size: 2,000 addresses
Quality of Service: Yes – 4 priority queues
Energy Efficient Ethernet: No
Flow Control: No
PROFINET suitable: Yes

Port count (RJ45)	5	8
MTBF (SN 29500, Mio. h)	n.a.	n.a.
Frame Forwarding (Art.-No.)	xxxxx0	xxxxx1
LLDP, PTCP Delay 01:80:C2:00:00:0E	Forwarding	Blocking
RSTP BPDU 01:80:C2:00:00:00	Forwarding	Forwarding

Power supply / electronics

Nominal voltage: Vin 24 VAC / 24 VDC
Permitted voltage range: 8 to 28 VAC / 9 to 36 VDC
Connection type: 3-pole pluggable, screw connector (+ - FE)
Wire cross-section: 0.08 to 2.5 mm (AWG 28 to 13)
Supply circuit: SELV DIN 60950 (circuit breaker 10 A)
Inrush current limiter: Yes
Input fuse: Yes, Interrupting rating 50 A @ 125 VAC / VDC
Polarity protection: Yes
Power failure bridging: 10 ms DIN 50155
PCB Conformal Coating: No
Protection category: III
Isolation: 2.25 kVDC; Vin ⇄ Ethernet Ports | Vin ⇄ housing

Port count (RJ45)	5	8
Power consumption (W)		
Idle full load	0.4 0.9	0.4 1.15
Input current (mA)		
Idle full load	16 36	16 48
Inrush current (A)	8	8

Mechanical properties

Housing material: Anodised aluminium, stainless steel
Mounting: 35 mm DIN rail
IP Protection class (operation): IP30

Port count (RJ45)	5	8
Width (mm)	22.5	22.5
Height (mm)	103	145
Depth (mm)	75	75
Weight (g)	225	295

Note: We reserve the right to make technical changes to this document without prior notice. TERZ assumes no responsibility or liability for any errors or inaccuracies in this document. All rights to this document and its contents are reserved. Duplication, use of the content or announcement to third parties in any form is not permitted without written permission from TERZ. Copyright © 2018 TERZ Industrial Electronics GmbH. All rights reserved.

Ethernet Interfaces

IEEE Standards: 802.3 10BaseT, 802.3u 100BaseT(X)
Isolation: 2.25 kVDC; Ethernet Port ⇄ housing | Port ⇄ Port
Connection type: RJ45
Port Count | Speed: 5,8 Ports | 10/100 Mbit/s
Cable length: 100 m (Twisted Pair, 0.14 mm² - 0.22 mm², Cat 5)

EMC and environmental specifications

Operating temperature: -40°C to +70°C
Storage temperature: -40°C to +85°C
Relative humidity (operation): 0%-95% (not condensing)
Relative humidity (storage): 0%-95% (not condensing)
Atmospheric pressure (operation): 2,000 m (795 hPa)
EMC immunity: DIN EN - 50121-3-2, 61000-6-2, 55024
EMC radiated emission: DIN EN - 50121-3-2, 61000-6-4, 55032
Mechanical stability: DIN EN 61373
Fire protection: DIN EN 45545

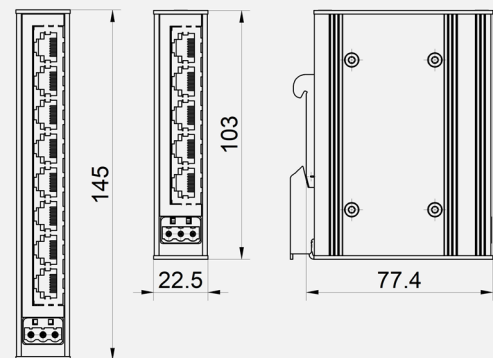
Approvals and certifications

CE, DIN EN 60950-1

Status and diagnostic indicators

LED: Power | Link/Activity per Port

Drawing



Products

Article	Art.-No.	Specification
NITE-RS5-1100	211400	5xRJ45, FE, 24 V
NITE-RS8-1100	211600	8xRJ45, FE, 24 V
NITE-RS5-1101	211401	5xRJ45, FE, 24 V, LLDP Blocking
NITE-RS8-1101	211601	8xRJ45, FE, 24 V, LLDP Blocking

Mounting accessories

Adapter for different alignments and wall mounting

